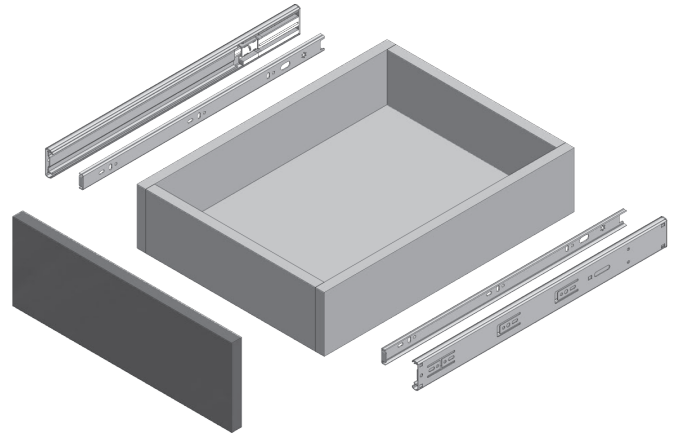


Data Sheet

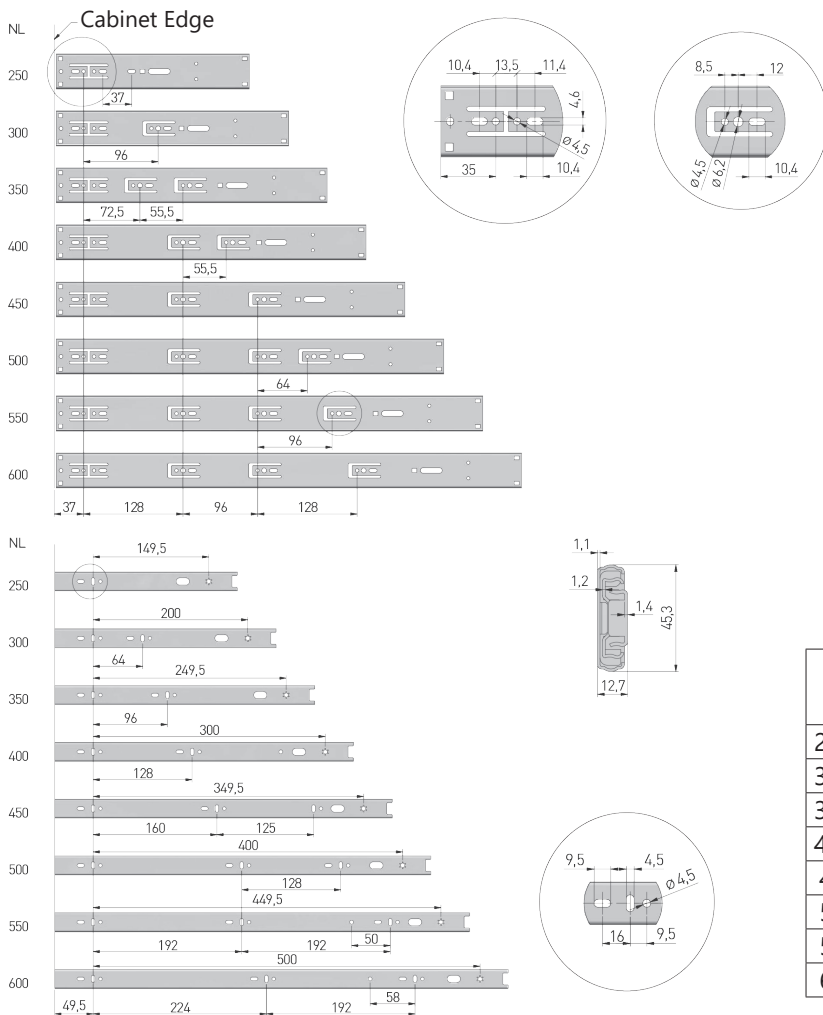
Item Codes: KHZ1002, KHZ960, KHZ961, KHZ962, KHZ963, KHZ964, KHZ965, KHZ966

Product Details

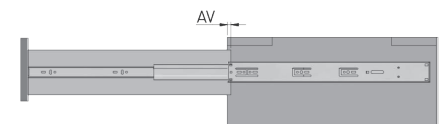
Height (mm): 45
Length (mm): 250, 300, 350, 400, 450, 500, 550, 600
Extension Loss (mm): 4, 20, 35, 52, 102
Extension: Full
Load: 30kg
Finish: Zinc Plated
Material: Steel
Drawer: Standard / Inner
Slide: Ball Bearing H45
Closing: Soft Close
Mounting: Release Option
Tested Durability: 60,000



Hole Pattern



NL	AV (mm)
250*	102
300*	52
350*	35
400*	20
450	4
500	4
550	4
600	4



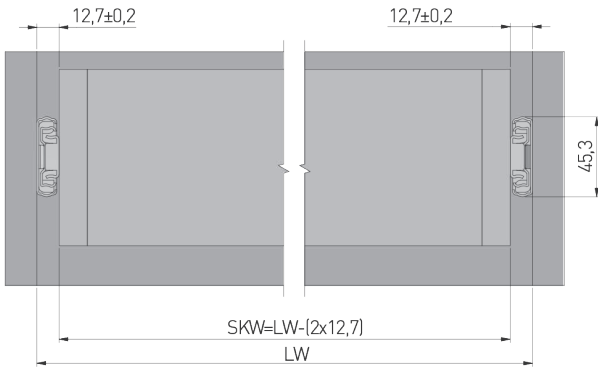
Note: For proper drawer operation, the width of the drawer cannot exceed the nominal slide length.

* Not full extension

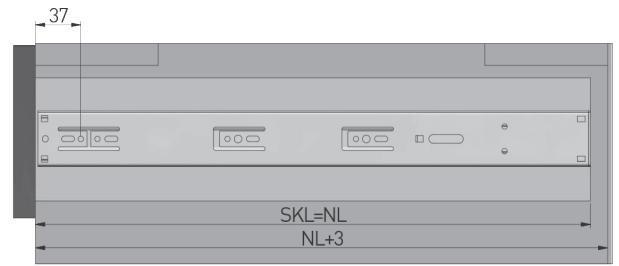
NL = Nominal Slide Length
 AV = Extension Loss

Data Sheet

Drawer Width



Standard Drawer



Inner Drawer



- SKW = Drawer Width
- LW = Internal Cabinet Width
- X = Drawer Front Thickness
- SKL = Drawer Depth
- NL = Nominal Slide Length